

## Safety Instructions

1, 2, 3, 4, 5, 6, 7, 10, 12, 13,  
15, 16, 19, 20, 21, 22, 24,  
28, 33, 34,



## Info Hotline



**+49 (0) 5041 998 389**

Mon. - Do. 7<sup>00</sup> - 20<sup>00</sup>  
Fr. 7<sup>00</sup> - 17<sup>00</sup>

Paulmann Licht GmbH  
Quezinger Feld 2  
31832 Springe  
Germany

[www.paulmann.com](http://www.paulmann.com)

Art.-Nr.: 939.83

939.84

939.85

939.86

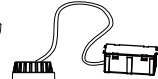
(+MA326) PSPU 03/17



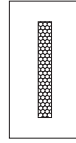
939.83



1x



1x

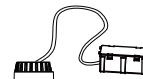


incl.

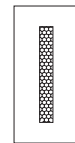
939.84



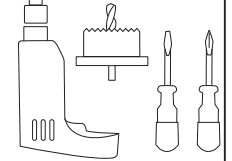
3x



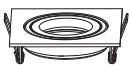
3x



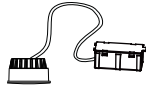
incl.



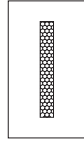
939.85



1x

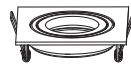


1x

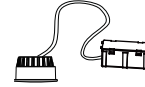


incl.

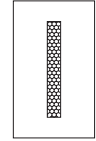
939.86



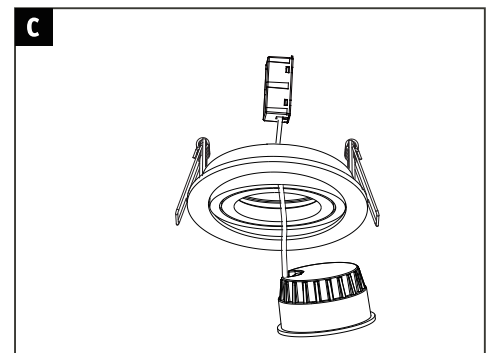
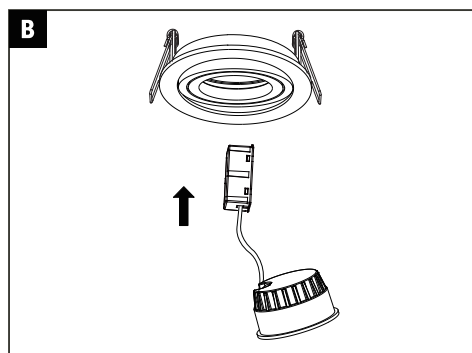
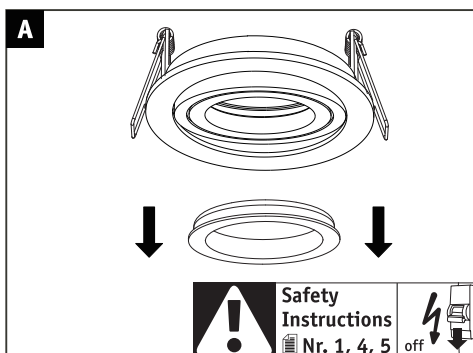
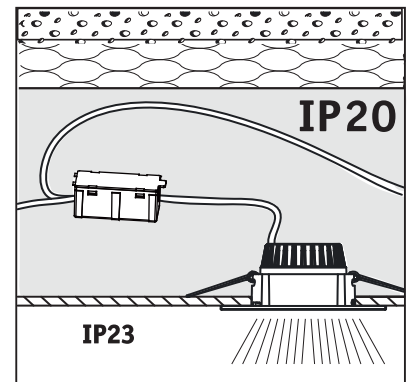
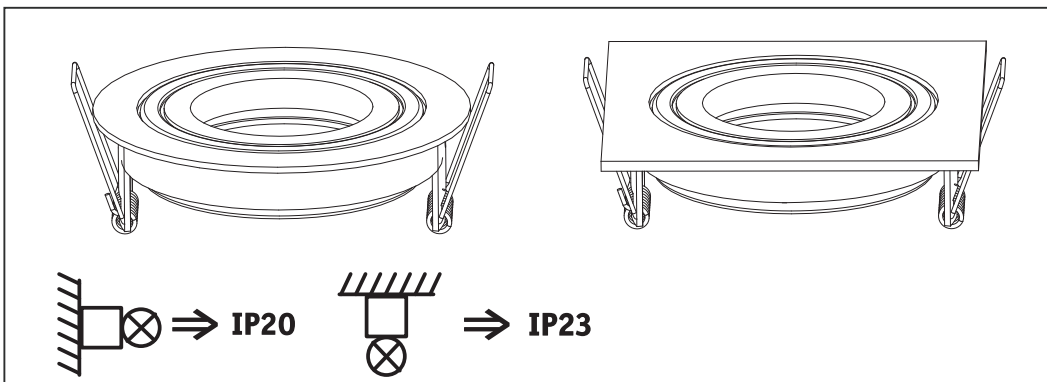
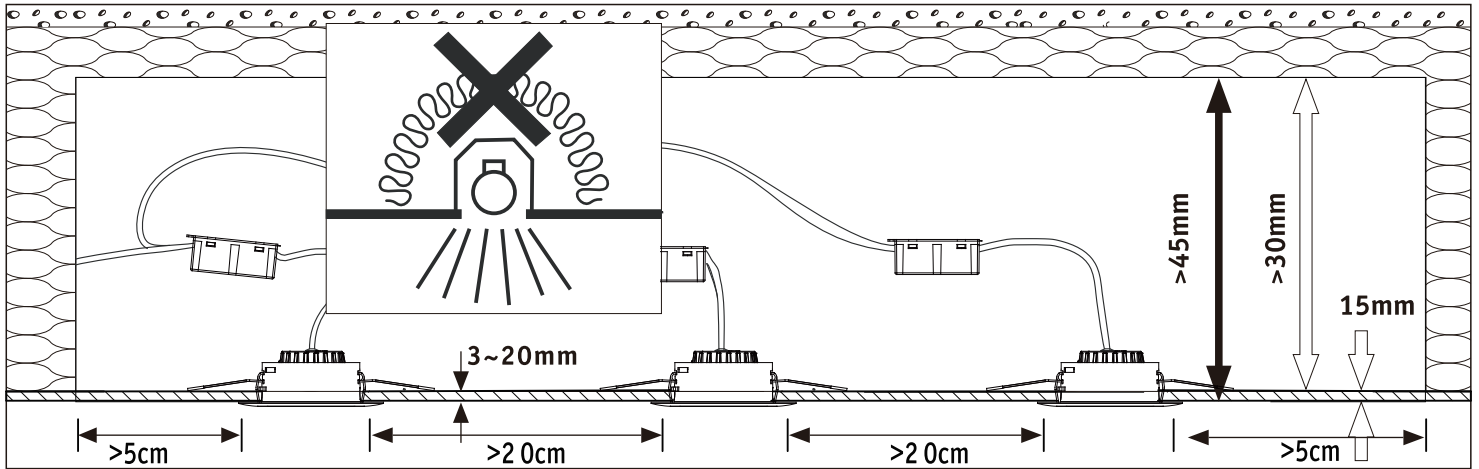
3x



3x



incl.



Safety  
Instructions  
Nr. 1, 4, 5



